

# MODEL PT-6

## Pronar Trommel Screen

Screen, sort and size material with the Model PT-6 trommel, built by Pronar and exclusively distributed by Bandit Industries. The trommel screen features a **rotating 6-foot diameter** and 15-½ foot long sieving drum that can be replaced without requiring extensive work. A **rugged track undercarriage** allows the operator to navigate a variety of environments. Wide-opening covers provide **instant accessibility** and fast switching of screening drums when changing the mesh size.



PT-6 TRACK

### ENERGY EFFICIENT FOR EASY OPERATION

The Model PT-6 combines the latest technology and materials with a low consumption of diesel fuel to streamline the screening process.

### USED FOR MULTIPLE APPLICATIONS

The Model PT-6 trommel is well equipped to screen municipal waste, mold, gravel, wood chips and wood waste, and separates debris from dirt.

### VARIETY OF COMPATIBLE DRUMS

The universal design and interchangeable drum technology makes this trommel and easy-to-use mechanism for screening materials.

### ONE STOP SOLUTION

Bandit offers and services select Pronar equipment. That means when you add a Pronar mobile stacking conveyor or a Pronar trommel screen, you get the same level of service and support you get from every Bandit machine.



# Bandit

## INDUSTRIES, INC.

6750 Millbrook Rd. • Remus, MI 49340 • 1-800-952-0178

FIND US ONLINE     [WWW.BANDITCHIPPERS.COM](http://WWW.BANDITCHIPPERS.COM)

Hand-Fed Chippers • Stump Grinders • Whole Tree Chippers  
The Beast® Horizontal Grinders • Track Carriers • Attachments

All specifications, dimensions and options are subject to change without notice, and were current at the time of printing. Dimensions may vary, depending on options and engines selected. Bandit Industries, Inc. reserves the right to change designs, specifications and options without prior notice. © 2019 Bandit Industries, Inc. All Rights Reserved.

**CALL YOUR LOCAL BANDIT SALES REPRESENTATIVE TO SCHEDULE A DEMONSTRATION TODAY!**

**SPECIFICATIONS**

DIMENSIONS	WHEELED		TRACK	
Gross Weight:	28,220 lbs.	12,800 kg	30,865 lbs.	14,000 kg
Length:	36' 1"	10.99 m	31' 3.75"	9.53 m
Width:	8' 4.5"	2.55 m	9' 7"	2.92 m
Height:	12' 9.5"	3.9 m	11' 3.75"	3.45 m
Brake System:	Pneumatic with EBS Drum Brakes			
Axles:	2			
Max. Axle Load:	19,842 lbs.	9,000 kg	n/a	
Tires / Tracks:	(4) 435/50R 19.5 (160J) Tires Speed Rating 62 mph /			
Engine:	Caterpillar (US Tier 4 final) 3.4l - 55.4 kW (75 HP) / 2,200 RPM			

MATERIAL TRANSPORT		
Trommel Length:	15' 5"	4,700 mm
Trommel Width:	5' 10.875"	1,800 mm
Effective Sieve Surface:	237.88 sq. ft.	22.1 m <sup>2</sup>
Infeed Hopper Length:	11' 8.25"	3,560 mm
Infeed Hopper Width:	6' 11.5"	2,120 mm
Loading Height:	9' 2.25"	2,800 mm
Infeed Hopper Capacity:	176.57 cu. ft.	5 m <sup>3</sup>
Exterior Side Conveyor Length:	17' .75"	5,200 mm
Exterior Side Conveyor Width:	2' 7.5"	800 mm
Exterior Rear Conveyor Length:	17' .75'	5,200 mm
Exterior Rear Conveyor Width:	2' 7.5"	800 mm
Interior Longitudinal Conveyor Width: 4' 3.25" (1,300 mm)		
Interior Transverse Conveyor Width: 1' 11.5" (600 mm)		

**COMMITTED TO QUALITY & SERVICE**

**The Bandit Backbone™ Support**

The Bandit Backbone is Bandit's commitment to customer service and support. It's always been a cornerstone of Bandit's philosophy, and today that backbone is stronger than ever. If you own a Bandit hand-fed chipper – regardless the age, hours, or warranty status – the Bandit Backbone is here to support you.

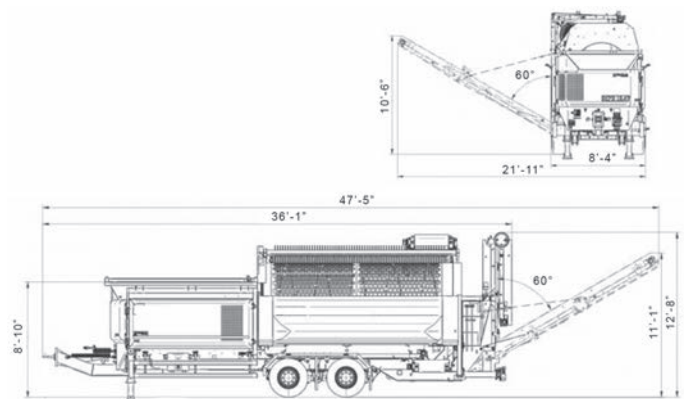
**We Are Here to Support You**

There are nearly 200 dealer locations in the US and 60 international dealers to support you. They are factory trained. Plus we have an experienced parts and service department supporting you and our dealers.



**MODEL PT-6 FEATURES**

- **Energy Efficient**  
Low consumption of diesel fuel
- **Easy Operations**  
Easy to use control panel
- **Low Maintenance Costs**
- **Screen Multiple Products From One Machine**
- **Wheeled and Track Undercarriage Options Available**
- **Heavy-Duty, Durable Frame Construction**
- **Max Throughput of Up to 600 Tons Per Hour**



**Bandit Also Offers a Complete Line of Tree Care Equipment:**  
Hand-Fed Chippers • Stump Grinders • Whole Tree Chippers  
The Beast® Horizontal Grinders • Track Carriers • Attachments