

MODEL PS-60

Mobile Stacking Conveyor



The Model PS-60 can stack material as high as 28 feet, and features a throughput of **up to 400 tons per hour**. This lets operators build incredible piles of material, without needing an additional operator or loader. The tracked chassis means the machine can move around a jobsite. And the **compact size** of this machine makes it road legal, so operators can haul it anywhere – no special permit required.



PS-60

SUPER CHARGE YOUR PRODUCTION

Mobile stacking conveyors are the perfect solution for stacking and storage optimization of bulky materials, breakstone or compost. The Model PS-60 easily integrates with crushers and trommels, increasing their efficiency.

AMAZING SAVINGS

Using the PS-60 ensures up to 75% savings compared to using a loader. Mobile stacking conveyors offer flexibility and power, courtesy of a rugged Caterpillar T4 final diesel engine.

MAXIMIZE YOUR MOBILITY

Mobile stacking conveyors move on working ground with self propelled tracked chassis, and foldable conveyor segments ensures compact size, that allows transporting machine on public roads and in cargo containers. Durability of machine is provided by working elements made of high-strength steel.

ONE STOP SOLUTION

Bandit offers and services select Pronar equipment. That means when you add a Pronar mobile stacking conveyor or a Pronar trommel screen, you get the same level of service and support you get from every Bandit machine.



Bandit

INDUSTRIES, INC.

6750 Millbrook Rd. • Remus, MI 49340 • 1-800-952-0178

FIND US ONLINE     WWW.BANDITCHIPPERS.COM

Hand-Fed Chippers • Stump Grinders • Whole Tree Chippers
The Beast® Horizontal Grinders • Track Carriers • Attachments

All specifications, dimensions and options are subject to change without notice, and were current at the time of printing. Dimensions may vary, depending on options and engines selected. Bandit Industries, Inc. reserves the right to change designs, specifications and options without prior notice. © 2019 Bandit Industries, Inc. All Rights Reserved.

CALL YOUR LOCAL BANDIT SALES REPRESENTATIVE TO SCHEDULE A DEMONSTRATION TODAY!

SPECIFICATIONS

DIMENSIONS

Discharge Cone Max Height:	28'	8.53 m
Tilt Angle Max:	27.2°	
Length (working position):	62' 7"	19,086 mm
Length (transport position):	38' 11"	11,857 mm
Width:	7' 4.5"	2,249 mm
Height:	8' .25"	2,441 mm
Weight:	21,429 lbs.	9,720 kg
Engine:	Caterpillar (US Tier 4 Final / EU Stage 3A, 2.2 l – 36,4 kW (50 HP) / 2300 rpm)	

MATERIAL TRANSPORT

Efficiency Max (standard hydraulic motor):	400 tons/hour	
Minimum Loading Height:	5' 10.875"	1,800 mm
Maximum Discharge Height:	28' 7"	8,710 mm
Belt Width:	2' 11.5"	900 mm
Belt Length:	60' .25"	18,295 mm

COMMITTED TO QUALITY & SERVICE

The Bandit Backbone™ Support

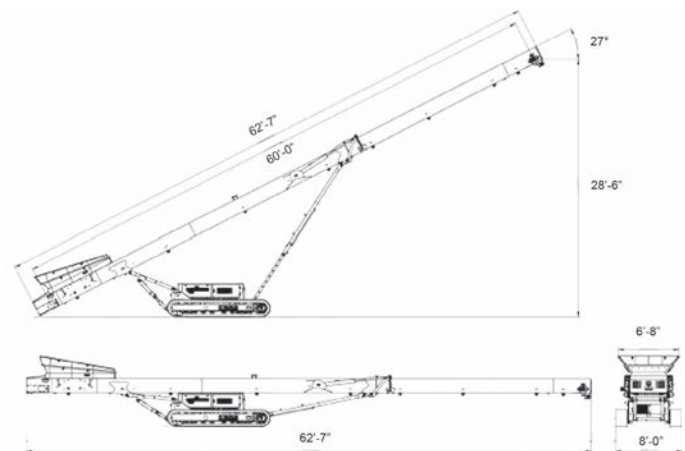
The Bandit Backbone is Bandit's commitment to customer service and support. It's always been a cornerstone of Bandit's philosophy, and today that backbone is stronger than ever. If you own a Bandit hand-fed chipper – regardless the age, hours, or warranty status – the Bandit Backbone is here to support you.

We Are Here to Support You

There are nearly 200 dealer locations in the US and 61 international dealers to support you. They are factory trained. Plus we have an experienced parts and service department supporting you and our dealers.

MODEL PS-60 FEATURES

- **28-Foot Max Stacking Height**
- **36" Wide and Nearly 60' Long Conveyor**
Will move more material farther, faster
- **Track Undercarriage**
Easily moves the machine around the jobsite
- **Heavy-Duty, Durable Frame Construction**
- **Max Throughput of Up to 400 Tons Per Hour**



Bandit Also Offers a Complete Line of Tree Care Equipment:
Hand-Fed Chippers • Stump Grinders • Whole Tree Chippers
The Beast® Horizontal Grinders • Track Carriers • Attachments